

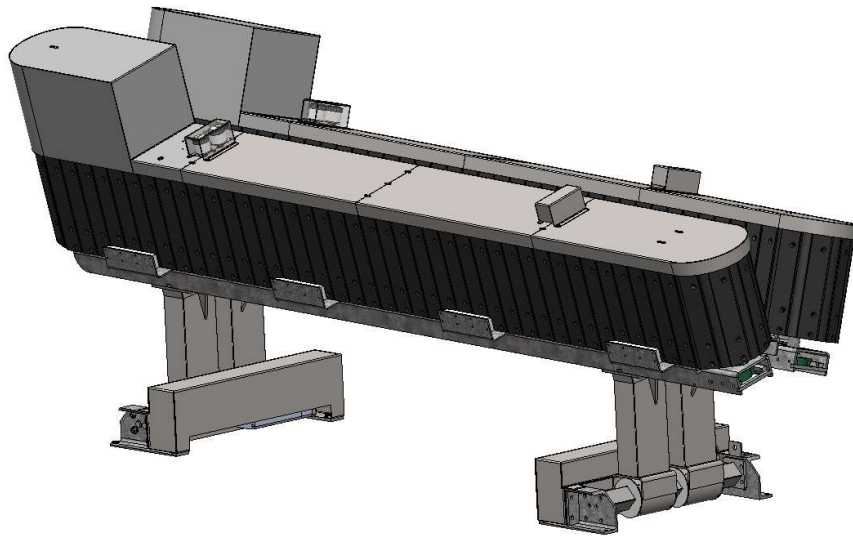
OVINE RESTRAINER

Respect of animal welfare

Animals arrive one by one.

Safety work for the operator.
2 electrical motors of 0.75kW.

Easy cleaning.
Pneumatic control by foot.



Main characteristics

Animals	Ovines
Length	On request
Internal conveyor width	From 20mm to 150mm
Band height	400mm
Width modification	Pneumatic pistons
Power supply	380V tri
chassis raw material	Galvanized steel
Top raw material	Stainless steel
Band row material	Polyamid
Additional products	Reception table, electric stunner, custom made corridors
TERMET part number	4069