

STERILIZER PRODUCT RANGE

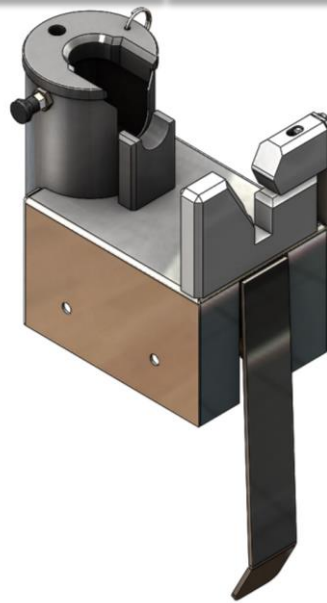
DURA MATTER TOOL STERILIZER

Sterilization by
water spray
with water
> 65°C

Optimized water
and energy
consumption

Optimized
interface to put
down the dura
matter tool

Control with
knee pushbar



Main characteristics

Cleaned product	Dura matter tool
Height	229 mm
Width	164 mm
Depth	252 mm
Watertightness	IP66
Cycle duration	10s to 60s
Raw material	Stainless steel
Additional products	Dura matter tool, exists also with PLC control
TERMET part number	635