

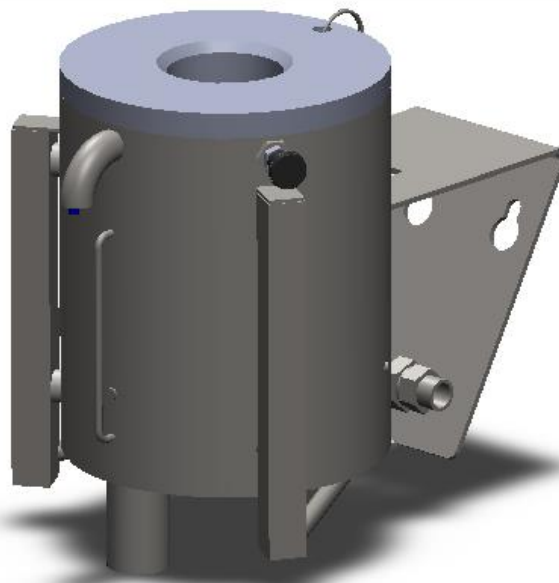
BUNG GUN STERILIZER

Sterilization by
water spray
with water
> 65°C

Optimized water
and energy
consumption

Optimized
interface to
insert the bung
gun

Automatic start
with inductive
sensor



Main characteristics

Cleaned product	Bung gun
Height	308 mm
Width	200 mm
Depth	294 mm
Watertightness	IP66
Cycle duration	10s to 60s
Raw material	Stainless steel
Additional products	Bung gun
TERMET part number	1818