

# STUNNING PRODUCT RANGE

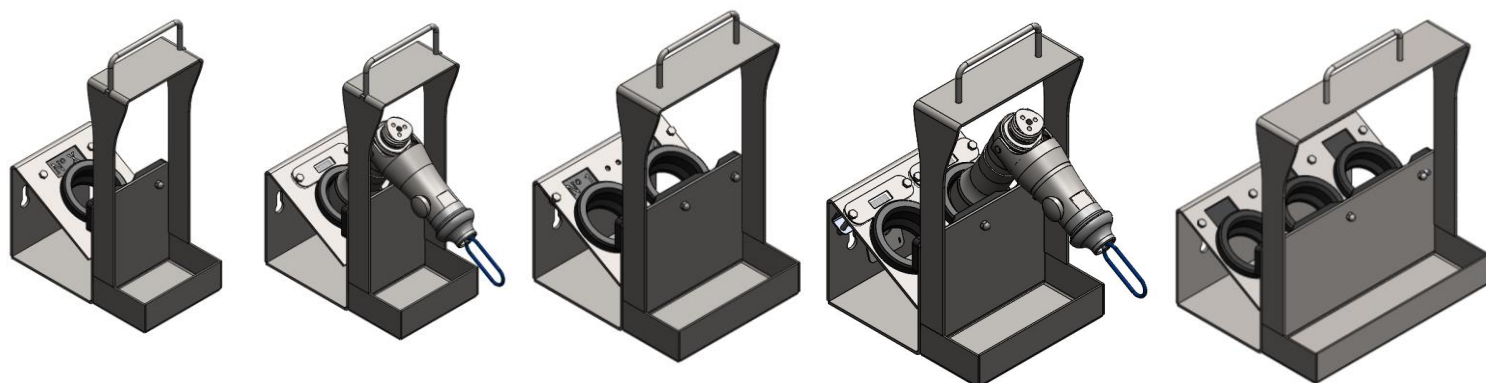
## MATABOX

Used to carry safely 1 to 3 Matador® (in open position)

Can be fixed at the stunning box

The counter option facilitates the maintenance of the Matador®

Open position only - Allows to see immediately that there is no cartridge in the Matador®



### Main characteristics

Number of products stored	1 to 3 following versions
Weight (1 / 2 / 3 pistols)	2.5 kg / 3.4 kg / 4.5 kg
Dimensions 1 pistol	L 209 mm / l 120 mm / D 345 mm
Dimensions 2 pistols	L 209 mm / l 174 mm / D 345 mm
Dimensions 3 pistols	L 209 mm / l 260 mm / D 345 mm
Transport	Handle
Additional products	Le Matador®, Cartridges
TERMET part number (1 pistol with/without counter)	5882 / 5883
TERMET part number (2 pistols with/without counter)	5708 / 3832
TERMET part number (3 pistols without counter)	6108