

# TERMET

## MATADOR®



## Instruction manual

NO\_23011 - Edition du 24/12/24

# TERMET

16 IMPASSE LEDUC LADEVÈZE - ZA LA FORET  
72470 CHAMPAGNÉ  
Tel: +33(0)2 43 54 10 30 Fax: +33(0)2 43 89 90 75  
commercial@termet.fr

EURL au capital de 75000€ - RCS LE MANS B 353 710 924  
SIRET 353 710 924 00039 - APE 2562 B  
Code TVA FR 23 353 710 924 - EORI FR35371092400039

# Table of contents

<b>1. Introduction - Safety .....</b>	<b>3</b>
<b>2. Features.....</b>	<b>4</b>
<b>3. Installation and commissioning .....</b>	<b>8</b>
<b>4. Use .....</b>	<b>9</b>
<b>5. Maintenance.....</b>	<b>13</b>
<b>6. Fault table .....</b>	<b>26</b>
<b>7. Maintenance booklet .....</b>	<b>27</b>
<b>8. Declaration of conformity .....</b>	<b>29</b>
<b>9. Appendix 1 – Auditor sheet .....</b>	<b>35</b>
<b>10. Appendix 2 - Matabox.....</b>	<b>37</b>
<b>11. Appendix 3 - SSR3000.....</b>	<b>41</b>

# 1. INTRODUCTION - SAFETY

## 1.1 INTRODUCTION - IMPORTANT SAFETY RECOMMENDATIONS

First of all, TERMET would like to thank you for putting your trust in our products. To help you get to grips with your MATADOR®, we've put together a comprehensive set of visual, easy-to-read instructions.

We recommend that you read this manual carefully in its entirety before working on the equipment. For your own safety, it is important that you follow all the instructions in this manual. Keep these instructions close to your MATADOR® or in a place accessible to users. Make sure that all personnel involved in its use can access it easily. Persons authorized to commission, operate or maintain the MATADOR® must be identified and trained.

## 1.2 PICTOGRAMS

### Safety pictograms

Meaning of safety pictograms on the machine or in this manual - Keep them clean and replace them if they become illegible or detached.



Eye protection must be worn



Ear protection must be worn



Safety helmets must be worn



Direct danger to personnel and machine, read the instruction manual



Safety footwear must be worn



Danger, burn hazard



Protective gloves must be worn - cat.3 according to EN388



Danger, risk of explosion

### Pictograms in this instruction manual



Minimum headcount required for certain operations



Level 3 participant: maintenance agent



Level 1 participant: user, operator



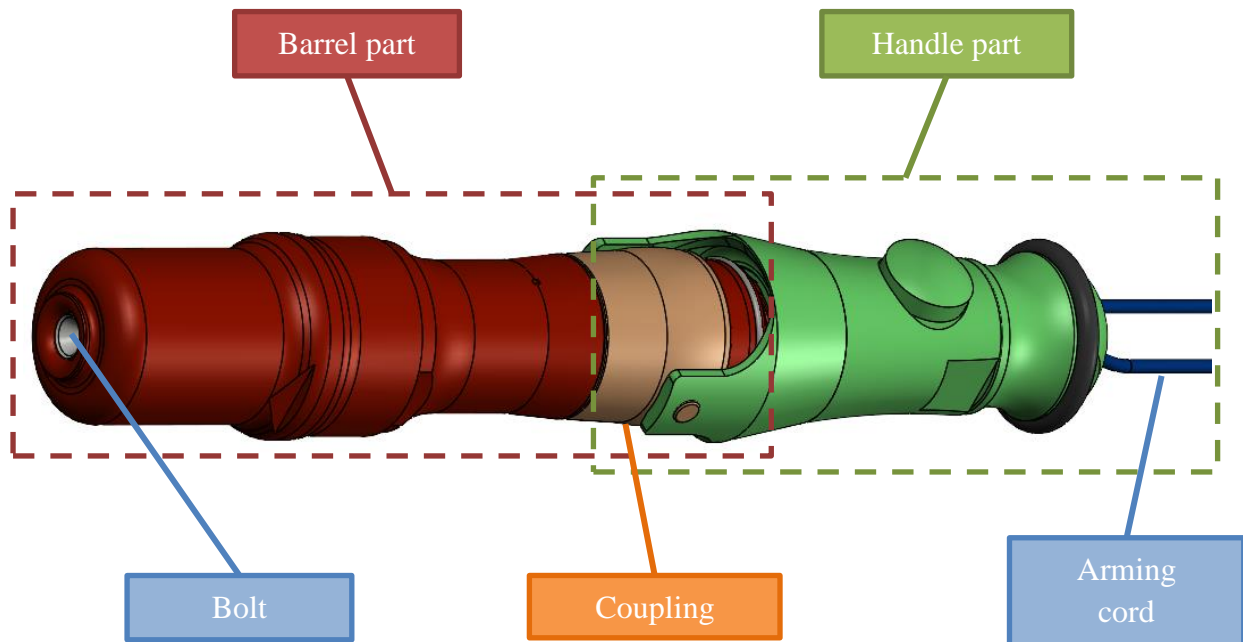
Electrical work must be carried out by qualified personnel with authorization to perform low-voltage electrical work



Level 2 participant: set-up operator

## 2. FEATURES

### 2.1 GENERAL DESCRIPTION OF THE TOOL



The MATADOR consists of:

- A handle part
  - o Including the arming cord
- A barrel part
  - o Including the bolt
- A coupling
  - o Creating the connection between barrel and handle

The MATADOR can be "locked" or "broken".



Matador locked



Matador broken

## 2.2 NORMAL USE

---

MATADOR guns are used in slaughterhouses to anesthetize animals such as cattle, sheep, horses and pigs.

## 2.3 RANGE DESCRIPTION

---

The MATADOR range includes:

- **Perforating rod guns**

- **MATADOR HVL3000 - 10441**
  - An elongated high-velocity matador
- **MATADOR HVS3000 – 11367**
  - A short high-velocity matador
- **MATADOR SS3000 standard - 10973**
  - The classic matador



- **Rounds**

- Yellow (x500)
- Red (x500)
- Black/Purple (x500)



- **Accessories**

- **SuperSecuriTest (or SST) - 5876**
  - A speed tester to check gun conformity
- **Matabox single without counter - 5883**
  - A device for safely placing the MATADOR on the workstation
- **Matabox double without counter - 3832**
- **Matabox single with counter - 9582**
  - A Matabox that also counts the number of times the MATADOR has been used
- **Matabox double with counter - 9395**



### **Non-piercing bolt guns**

- **SSR3000 cow - 10971**
  - A ritual pistol for cows
- **SSR3000 calf/sheep - 10978**
  - A ritual pistol for calves and sheep



Accessories and SSR3000 are detailed in the appendices.

***Gun/round combination depending on the animal:***

MATADOR pistols must be used with 27-gauge explosive rounds supplied by TERMET. Below is a table detailing which matador/round pairing is appropriate for slaughtering the animals:

	Yellow round	Red round	Black/Purple round
MATADOR HVL3000	Sheep Calves	Bovines Solipeds	Bovines*
MATADOR HVS3000	Sheep Calves	Bovines Solipeds	Bovines*
MATADOR SS3000 standard	Sheep Calves	Cows	Solipeds Bovines**

**Bovines\***: Use a black/purple cartridge when the bovine's attributes (race, gender, physical particularity etc...) make its head too hard for the red cartridge.

**Bovines\*\***: The standard MATADOR SS3000 is not able to slaughter animals with a head too hard. Use the MATADOR HVL3000 in that case.

It is completely possible to use a more powerful cartridge than the one advised for the slaughter.

### Weight

	Weight
Matador HVL3000	2.76 kg
Matador HVS3000	2.72 kg
Matador SS3000 standard	2.73 kg

### Minimum bolt exit speed

m/s	MATADOR SS3000 standard	MATADOR HVS3000	MATADOR HVL3000	Quantity of powder (grains)
Yellow round	37	47	47	3
Red round	44	53	53	3.5
Black /Purple round	48	57	57	4

### Service life

The MATADOR has a service life of 3 years or 40,000 shots depending on the first reached.

### Rate

The maximum rate of all the guns from the MATADOR range is 30 shots/hour for an exclusive use of MATADORS.

### Noise

Information on airborne noise emissions is given below:

- Weighted sound pressure level at the workstation 103 dB ± 3 dB
- Maximum instantaneous sound pressure value 133 dB ± 3 dB
- Weighted sound power level emitted by the machine 107 dB ± 3 dB

Measurements were taken at a distance of 1m when firing red rounds at a 100 mm thick piece of plastic with a hardness of 60 ± 5 Shore.

### Vibration

The vibration generated by the matador during a shot is less than 2.5 m/s<sup>2</sup>. However, the repeated action of firing can entail risks in the same way as any repetitive activity. It is advisable to rotate staff at this work post.

## 3. INSTALLATION AND COMMISSIONING

### 3.1 INSTALLATION



The MATADOR must be laid "broken", in a stable position, with the barrel facing the ground. The place where the cartridge is loaded must face the user, so that the MATADOR can be loaded easily. The user needs at least 2 MATADORS at the station when you only use this gun for the slaughter. Please refer to [additional information on page 11](#) for further explanations.

We strongly recommend using a matabox designed to meet these conditions. Installation must then be carried out in consultation with the user, to ensure an ergonomic workstation.

Stay with the user during initial use to make adjustments.

Boxes of rounds must be kept dry in a stable position. Mataboxes have a dedicated slot for rounds.

### 3.2 FIRST-TIME USE



Your MATADORS are tested and approved in our workshops before delivery. So there's no need to check them on first use.

You are free to follow the "Checking the MATADOR" paragraph on page 18 before putting a new gun on the line.



## 4. USE

<b>4.1</b>	<b>Safety instructions</b>	<b>9</b>
<b>4.2</b>	<b>Getting started</b>	<b>9</b>
<b>4.3</b>	<b>MATADOR operating mode</b>	<b>10</b>
<b>4.4</b>	<b>Cartridge blockages</b>	<b>12</b>
4.4.1	Lock blockage	12
4.4.2	Firing pin holder blockage	12
<b>4.5</b>	<b>End of shift</b>	<b>12</b>

### 4.1 SAFETY INSTRUCTIONS



The MATADOR is a hazardous tool that can cause serious injury. You must have been trained to use the MATADOR.



The use of MATADOR must be in a clean and ventilate atmosphere, without fog of dust.

Care must therefore be taken when handling the gun. Never put your hand near the matador bolt.





An armed MATADOR can be triggered if it falls on the ground. The MATADOR must therefore always be armed at the last moment, just before the animal is slaughtered. In addition, the MATADOR must always be handled with the barrel facing downwards.

The MATADOR must always be broken when not in use.



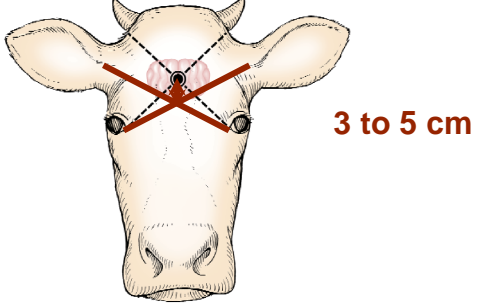


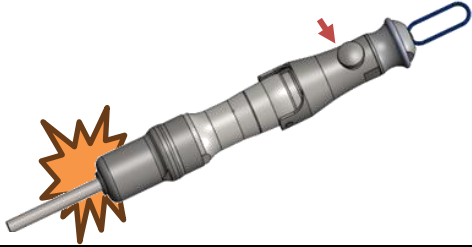
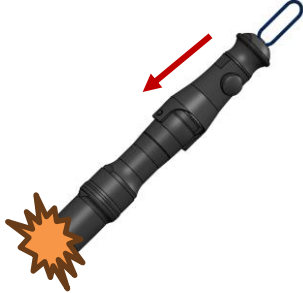
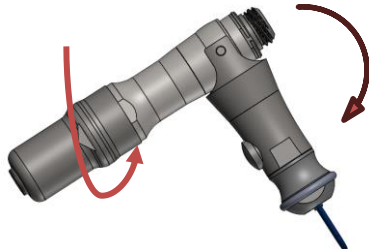
### 4.2 GETTING STARTED

Before using your MATADOR, always perform the following checks:

<p>Check that the MATADOR bolt is fully retracted into the barrel.</p>	
<p>Check that the gun is properly locked. You should hear a click.</p>	



<p>Place the round in the lock housing.</p> <p> Have an extra MATADOR ready for use if needed.</p>	
<p>At this point, your 2 MATADORS are loaded and ready to use.</p>	
<p>Lock the matador until the ball clicks.</p>	
<p>Arm the matador by pulling the cord as far as it will go.</p>	
<p>Place the matador on the animal's head.</p>	
<p>Attention: the gun must be at a right angle when firing, otherwise the anaesthetic will be less effective.</p>	

<p>Press the trigger button to trigger the explosion.</p>	
<p>Hold the gun firmly against the head to ensure good penetration.</p>	
<p>Unlock and break the matador to eject the round.</p>	

### *Further information*

It is recommended that you have at least 2 MATADORS at the workstation. So, if the pistol shot doesn't have the desired effect on the animal, or if the shot misses the cerebellum, you can use the 2<sup>nd</sup> matador to do it again.



The **maximum rate** recommended for a MATADOR is **30 shots/hour**. Adapt your number of MATADORS on the station to stick to this rate.

If you have loaded and locked the MATADOR, the cartridge can still be ejected by breaking the gun normally.

## 4.4 CARTRIDGE BLOCKAGES

---

Despite the care taken in the design of the MATADOR, it's possible that cartridges may remain jammed after firing, either in the lock or in the firing pin holder as shown below:



Cartridge jammed in lock



Cartridge jammed in firing pin holder

### 4.4.1 Lock blockage

In the case of a lock blockage, first try to relock your MATADOR and fire it empty one or more times.

If the round remains jammed after firing, take the gun in for maintenance.



**Never use a screwdriver to unblock a jammed cartridge in the lock!** The screwdriver can damage the lock which can become unusable (the cartridge remains almost always jammed in the lock).

### 4.4.2 Firing pin holder blockage

In the case of a blocked firing pin holder, you can first try to retrieve the cartridge by breaking the MATADOR, keeping the barrel part close to the handle part.

If the round is not accessible, take the gun in for maintenance.

## 4.5 END OF SHIFT

---

At the end of each kill, remove the round from the barrel if there is one, then clean your MATADOR with a damp cloth. Then store your pistols in a cupboard.

## 5. MAINTENANCE

<b>5.1</b>	<b>Safety instructions</b>	<b>13</b>
<b>5.2</b>	<b>Maintenance operations</b>	<b>13</b>
	Handle part: Lubrication/Replacement/Cleaning	14
	Barrel part: Cleaning/Replacement	17
	Checking the MATADOR	18
	Wear of the HVL pin	19
<b>5.3</b>	<b>Cartridge blockages</b>	<b>20</b>
	Lock blockage	20
	Firing pin holder blockage	20
<b>5.4</b>	<b>Periodic maintenance schedule</b>	<b>21</b>
<b>5.5</b>	<b>Names of parts</b>	<b>23</b>
	SS3000 and HVL3000 pistols	23
<b>5.6</b>	<b>Tools</b>	<b>25</b>

### 5.1 SAFETY INSTRUCTIONS

---



Always check that there are no explosive cartridges in the gun before carrying out any maintenance operation.



The use of MATADOR must be in a clean and ventilate atmosphere, without fog of dust.



Care must therefore be taken when handling the gun. Never put your hand near the matador bolt.

The MATADOR must always be broken when not in use.

### 5.2 MAINTENANCE OPERATIONS



---

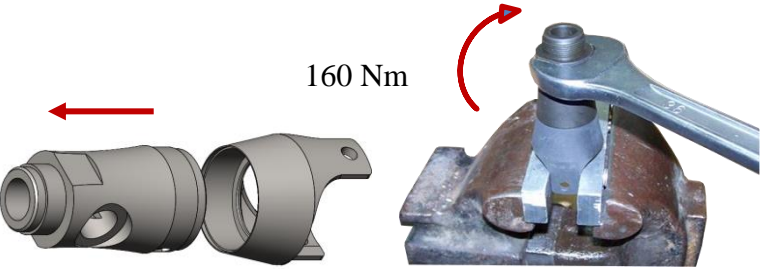
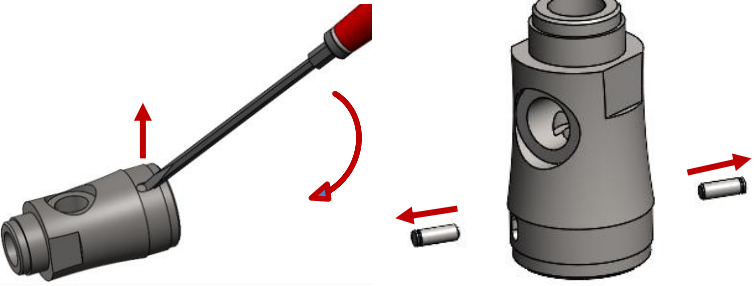

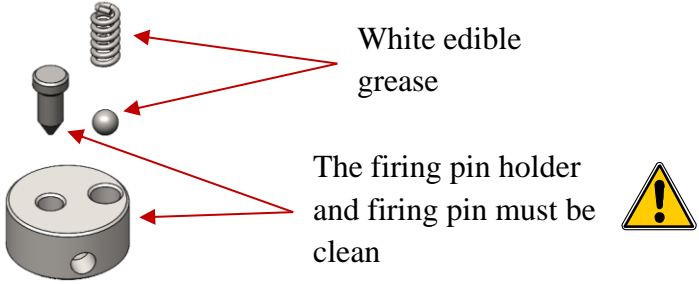

You will find all the references for recommended greases and cleaning brushes in section **5.6 Tools**.





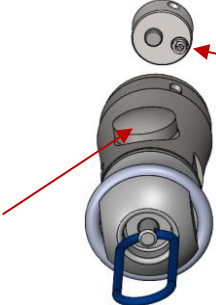
All cleaning operations are carried out using a cloth and mechanical degreasing cleaner. Take care to remove all impurities when cleaning.

## Handle part: Lubrication/Replacement/Cleaning



<p>Remove the locking ring with a screwdriver to uncouple the handle part from the barrel part.</p>	
<p>Remove the arming cord, the ring from the end cap and unscrew it.</p> <p><b>WARNING</b> tightening torque of <b>160 Nm</b></p>	<p>160 Nm</p>
<p>Press down on the firing button to remove the hammer assembly and gain access to the hammer spring.</p>	
<p>At this stage, you can <b><u>clean the hammer and its spring.</u></b> You can then <b><u>relubricate the spring.</u></b></p>	<p> The hammer must be clean</p> <p>White edible grease</p>
<p>Remove the firing button to gain access to the firing button spring.</p>	
<p>At this stage, you can <b><u>clean the firing button and its spring.</u></b> You can then <b><u>relubricate the spring.</u></b></p>	<p> The firing button must be clean</p> <p>White edible grease</p>

<p>Remove the pins and coupling ring to gain access to the clevis.</p>	
<p>Place the clevis in a vice. Then, using a size 36 wrench, unscrew the clevis handle.</p> <p><b>WARNING</b> tightening torque of <b>160 Nm</b></p>	
<p>Use a screwdriver to remove the 2 pins from the handle.</p>	
<p>You can then access the firing pin holder and locking spring.</p>	
<p>At this stage, you can <b><u>clean the firing pin holder, firing pin and locking spring</u></b>. You can then <b><u>relubricate the spring and ball</u></b>.</p>	
<p>Then, you can <b><u>clean the handle</u></b>. Be careful to clean the inner threads to avoid corrosion.</p>	



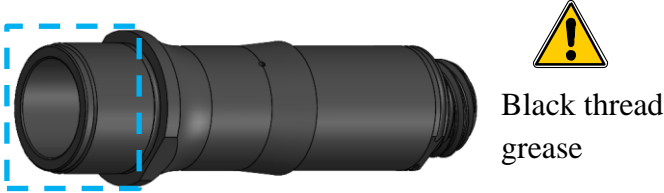
<p>When reassembling the handle, apply grease to the threads, as shown opposite.</p>	 <p>Black grease</p> 
 <p>Pay attention to the mounting direction of the firing pin holder. When you hold the hammer handle towards you, with the firing button up, the locking spring should point to the right (as shown in the image opposite).</p>	 <p>Firing button upwards</p>  <p>Spring on the right</p>



## Barrel part: Cleaning/Replacement



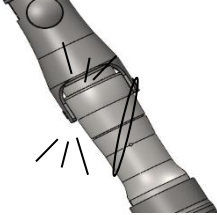


<p>Remove the locking ring with a screwdriver to uncouple the handle part from the barrel part.</p>	
<p>Unscrew the extension to expose the bolt.</p>	
<p>Access the <b>locking joint</b> and <b>replace</b> if necessary.</p>	
<p>Access the bolt.</p>	
<p><b>Inspect:</b></p> <ol style="list-style-type: none"> <li>1. Sealing disc</li> <li>2. Front protection rings</li> <li>3. Elastomer rings</li> <li>4. Brown rear protection ring</li> <li>5. Blue rear protection ring</li> </ol> <p><b>Replace</b> worn parts.</p>	<p><b>Order of components</b></p>

<p>Remove the <b>bolt head snap ring</b> from the bolt and replace if necessary.</p> <p>You can also <b>replace</b> the <b>bolt</b> if it has reached the end of its life.</p>	
<p><b>Clean</b> the inside of the <b>barrel</b> with a bottle brush.</p> <p>Then <b>clean</b> the external thread with a cloth and cleaning product</p>	
<p>You can follow the instructions in reverse to reassemble your matador.</p> <p>Put a little grease on the barrel threads when reassembling.</p>	 <p>Black thread grease</p>

## Checking the MATADOR

Before sending the MATADOR back to the line, the following checks must be carried out:

<p>Check that the MATADOR bolt is fully retracted into the barrel.</p>	
<p>Check the bolt exit speed with the SST. See <u>table section 2.4 page 7</u> for reference.</p>	
<p>Check that the gun is properly locked. You should hear a click.</p>	

## Wear of the HVL or HVS pin

The HVL and HVS pin are always delivered with a worn appearance on the back of the piston. Indeed, pins are systematically tested inside our factory because the first shots can damage the barrel and expel burned matter. When a black layer is created, the pin can be used in a MATADOR gun.

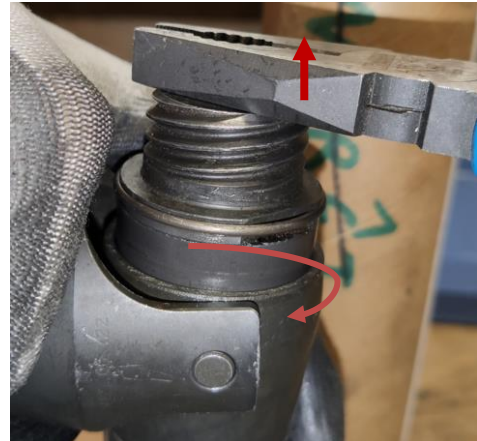


The lifespan of the pin is not affected by the worn appearance. Check the periodic maintenance table section 5.4 page 21 to find the lifespan of the part.

## 5.3 CARTRIDGE BLOCKAGES

### Lock blockage

Damage to the chamber must be avoided at all costs, otherwise the MATADOR will no longer work. Use pliers or a screwdriver as shown below. **Any other ways to remove the cartridge can damage the gun.**



### Firing pin holder blockage

To release the round, unscrew the clevis and remove the cartridge with pliers.



## 5.4 PERIODIC MAINTENANCE TABLE

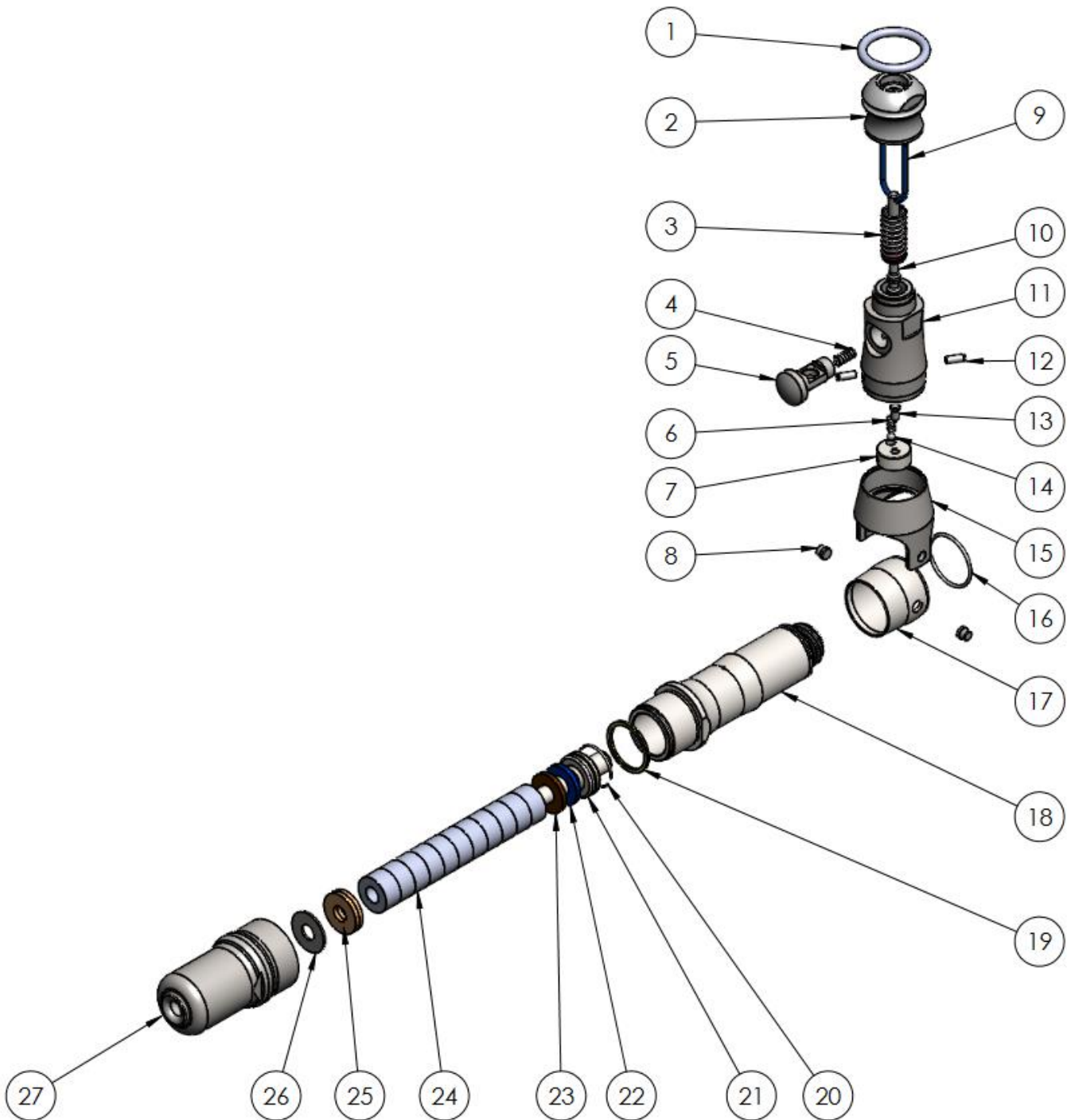
For a general use:

<i>To be carried out every...</i> (first of the 2 time limits)		500 shots	2,000 shots	8,000 shots	10,000 shots	15,000 shots
	Day	Week	Month			
<b>Inspect the rings</b> <i>Barrel part</i>	X					
<b>Change the rings</b> <i>Barrel part</i>		X				
<b>Lubricate the springs</b> <i>Handle part</i>		X				
<b>Clean the handle 3705</b> <i>Handle part</i>		X				
<b>Clean the barrel 10685</b> <i>Barrel part</i>		X				
<b>Replace the protective washers</b> <i>Barrel part</i>			X			
<b>Replace the locking seal 40</b> <i>Barrel part</i>			X			
<b>Replace the bolt head snap ring 30</b> <i>Barrel part</i>			X			
<b>Replace the springs</b> <i>Handle part</i>				X		
<b>Replace the firing pin 24</b> <i>Handle part</i>				X		
<b>Replace the bolt 11582 or 11609</b> <i>Barrel part</i>					X	
<b>Replace the bolt 8</b> <i>Barrel part</i>						X
<b>Replace the firing pin holder 10647</b> <i>Handle part</i>						X

For an ad hoc use (less than 50 shots per day):

<b>To be carried out every...</b> (first of the 2 time limits)			<b>2,000 shots</b>	<b>8,000 shots</b>	<b>10,000 shots</b>	<b>15,000 shots</b>
	<b>Week</b>	<b>Month</b>				
<b>Inspect the rings</b> <i>Barrel part</i>	X					
<b>Change the rings</b> <i>Barrel part</i>		X				
<b>Lubricate the springs</b> <i>Handle part</i>		X				
<b>Clean the handle 3705</b> <i>Handle part</i>		X				
<b>Clean the barrel 10685</b> <i>Barrel part</i>		X				
<b>Replace the protective washers</b> <i>Barrel part</i>			X			
<b>Replace the locking seal 40</b> <i>Barrel part</i>			X			
<b>Replace the bolt head snap ring 30</b> <i>Barrel part</i>			X			
<b>Replace the springs</b> <i>Handle part</i>				X		
<b>Replace the firing pin 24</b> <i>Handle part</i>				X		
<b>Replace the bolt 11582 or 11609</b> <i>Barrel part</i>					X	
<b>Replace the bolt 8</b> <i>Barrel part</i>						X
<b>Replace the firing pin holder 10647</b> <i>Handle part</i>						X

SS3000 and HVL3000 guns





### Common parts

Ref	Designation	Qty	Termet article code
1	Handle end ring	1	5907
2	End piece	1	16
3	Hammer spring	1	21
4	Firing button spring	1	5795
5	Firing button	1	18
6	Locking spring	1	3695
7	Firing pin holder	1	10647
8	Coupling pin	2	34
9	Arming cord	1	41
10	Hammer	1	19
11	Handle	1	3705
12	Pin	2	26
13	Firing pin	1	24
14	Locking ball	1	3698
15	Tilting clevis	1	32
16	Locking ring	1	29
17	Ring	1	10443
18	Barrel lock	1	10685
19	Locking seal	1	40
20	Bolt head ring	1	30
22	Rear protection washer blue	1	1269
23	Rear protection washer brown	1	38
25	Front protection washer	2	39
26	Sealing disc	1	65

### Matador SS3000 standard

Ref	Designation	Qty	Termet article code
21	Standard bolt	1	8
24	Packet of 10 rings	1	1
27	Standard extension	1	1590

### Matador HVL3000

Ref	Designation	Qty	Termet article code
21	HVL bolt	1	11582
24	Packet of 11 rings	1	9182
27	HVL extension	1	10679



## **Matador HVS3000**

<b>Ref</b>	<b>Designation</b>	<b>Qty</b>	<b>Termet article code</b>
<b>21</b>	HVS bolt	1	11609
<b>24</b>	Packet of 10 rings	1	1
<b>27</b>	HVS extension	1	11798

### 5.6 TOOLS

---

TERMET recommends the following components for the maintenance of your MATADOR gun:

- White edible grease - **153**
- Black thread grease - **3799**
- Bottle brush - **9197**

## 6. FAULT TABLE

FAULT	POSSIBLE CAUSE	ACTION
Gun does not lock, or locks only slightly	<ol style="list-style-type: none"> <li>1. Firing pin mounted upside down</li> <li>2. Locking spring is worn</li> <li>3. A 25" caliber cartridge was used and the cartridge case is still stuck in the lock and firing pin holder</li> </ol>	<ul style="list-style-type: none"> <li>⇒ Replace the firing pin in the right direction</li> <li>⇒ Replace spring</li> <li>⇒ Replace barrel lock and firing pin holder</li> </ul>
Round does not explode when fired	<ol style="list-style-type: none"> <li>1. Gun not locked properly</li> <li>2. Cartridge is empty</li> <li>3. The percussion system is clogged</li> </ol>	<ul style="list-style-type: none"> <li>⇒ Correctly lock the gun or see top line</li> <li>⇒ Use another cartridge</li> <li>⇒ Clean the percussion system</li> </ul>
Frequent jamming in the lock	<ol style="list-style-type: none"> <li>1. Gun not locked properly</li> <li>2. The lock chamber is dirty</li> <li>3. The lock chamber is damaged</li> <li>4. A 25" caliber cartridge was used and the cartridge case is still stuck in the lock and the firing pin holder</li> </ol>	<ul style="list-style-type: none"> <li>⇒ Lock the gun correctly</li> <li>⇒ Clean the lock chamber</li> <li>⇒ Replace the barrel lock</li> <li>⇒ Replace barrel lock and firing pin holder</li> </ul>
Frequent jamming of the firing pin holder	<ol style="list-style-type: none"> <li>1. The firing pin holder is worn</li> </ol>	<ul style="list-style-type: none"> <li>⇒ Replace firing pin holder</li> </ul>
Gun overheats	<ol style="list-style-type: none"> <li>1. The rate of fire is too high</li> </ol>	<ul style="list-style-type: none"> <li>⇒ Alternate firing with another matador</li> </ul>





## 8. DECLARATION DE CONFORMITE

# DECLARATION – CE – DE CONFORMITE



16 IMPASSE LEDUC LADEVÈZE - ZA LA FORET

72470 CHAMPAGNÉ

Tel: +33(0)2 43 54 10 30 Fax: +33(0)2 43 89 90 75

Déclare que la machine :

- Désignation : **MATADOR**
- N° de Série : [15400] à [17999]
- Modèle : **HVL3000**
- Marque : **TERMET**

Est conforme aux exigences suivantes :

- Directive Machines CE 2006/42

Avec prise en compte des normes :

- EN 15895, NF 466-100, NF 466-051, NF 466-052, EN ISO 12100:2010, Décisions CIP Edition 2009, EN 12549 + A1.

De plus, cet appareil a été homologué CE de type volontairement par :



SUVA, Secteur technique, Organisme de certification SCESp0008, Notification européenne, numéro d'identification 1246, Case postale 4358, 6002 Luzern, Schweiz, sous le N° E7192/1.f le 19/02/2024.

La société TERMET est désignée en tant que personne morale autorisée à constituer le dossier technique.

Fait à Champagné,  
le 28.02.24

TONY PILTE

Directeur

A handwritten signature in black ink, consisting of a large, stylized loop followed by a vertical stroke.

# DECLARATION – – OF CONFORMITY



16 IMPASSE LEDUC LADEVÈZE - ZA LA FORET  
72470 CHAMPAGNÉ  
Tel: +33(0)2 43 54 10 30 Fax: +33(0)2 43 89 90 75

Declare the machine :

- Designation : **MATADOR**
- Serial number : **[15400] to [17999]**
- Model : **HVL3000**
- Brand : **TERMET**

Is in compliance with the following requirements :

- Machinery Directive 2006/42/CE

And also considering the following standards :

- EN 15895, NF 466-100, NF 466-051, NF 466-052, EN ISO 12100:2010, Décisions CIP Edition 2009, EN 12549 + A1.

Moreover, this system has been voluntarily CE homologated by :



SUVA, Technology sector, Accredited certification body SCESp0008, European notified body, identification number 1246, Box 4358, 6002 Luzern, Schweiz, under the N° E7192/1.e on 19/02/2024.

The Termet company is indicated as the moral person authorized to establish machine technical file.

Champagné,  
On

TONY PILTE  
General manager

# DECLARATION – CE – DE CONFORMITE



16 IMPASSE LEDUC LADEVÈZE - ZA LA FORET  
72470 CHAMPAGNÉ

Tel: +33(0)2 43 54 10 30 Fax: +33(0)2 43 89 90 75

Déclare que la machine :

- Désignation : **MATADOR**
- N° de Série : [14500] à [17999]
- Modèle : **SS3000**
- Marque : **TERMET**

Est conforme aux exigences suivantes :

- Directive Machines CE 2006/42

Avec prise en compte des normes :

- EN 15895, NF 466-100, NF 466-051, NF 466-052, EN ISO 12100:2010, Décisions CIP Edition 2009, EN 12549 + A1.

De plus, cet appareil a été homologué CE de type volontairement par :



SUVA, Secteur technique, Organisme de certification SCESp0008, Notification européenne, numéro d'identification 1246, Case postale 4358, 6002 Luzern, Schweiz, sous le N° E7192/1.f le 19/02/2024.

La société TERMET est désignée en tant que personne morale autorisée à constituer le dossier technique.

Fait à Champagné,  
le 28.02.24

TONY PILTE

Directeur

A handwritten signature in black ink, consisting of a large, stylized loop followed by a vertical stroke.

# DECLARATION – **CE** – OF CONFORMITY



16 IMPASSE LEDUC LADEVÈZE - ZA LA FORET  
72470 CHAMPAGNÉ

Tel: +33(0)2 43 54 10 30 Fax: +33(0)2 43 89 90 75

Declare the machine :

- Designation : **MATADOR**
- Serial number : **[14500] to [17999]**
- Model : **SS3000**
- Brand : **TERMET**

Is in compliance with the following requirements :

- Machinery Directive 2006/42/CE

And also considering the following standards :

- EN 15895, NF 466-100, NF 466-051, NF 466-052, EN ISO 12100:2010, Décisions CIP Edition 2009, EN 12549 + A1.

Moreover, this system has been voluntarily CE homologated by :



SUVA, Technology sector, Accredited certification body SCESp0008, European notified body, identification number 1246, Box 4358, 6002 Luzern, Schweiz, under the N° E7192/1.e on 19/02/2024.

The Termet company is indicated as the moral person authorized to establish machine technical file.

Champagné,

On

TONY PILTE

General manager



# DECLARATION – CE – DE CONFORMITE



16 IMPASSE LEDUC LADEVÈZE - ZA LA FORET  
72470 CHAMPAGNÉ

Tel: +33(0)2 43 54 10 30 Fax: +33(0)2 43 89 90 75

Déclare que la machine :

- Désignation : **MATADOR**
- N° de Série : **[14500] à [17999]**
- Modèle : **HVS3000**
- Marque : **TERMET**

Est conforme aux exigences suivantes :

- Directive Machines CE 2006/42

Avec prise en compte des normes :

- EN 15895, NF 466-100, NF 466-051, NF 466-052, EN ISO 12100:2010, Décisions CIP Edition 2009, EN 12549 + A1.

La société TERMET est désignée en tant que personne morale autorisée à constituer le dossier technique.

Fait à Champagné,  
le 22/05/24

TONY PILTE

Directeur

A handwritten signature in blue ink, consisting of a large, stylized loop followed by a vertical stroke and a horizontal line.

# DECLARATION – – OF CONFORMITY



16 IMPASSE LEDUC LADEVÈZE - ZA LA FORET  
72470 CHAMPAGNÉ  
Tel: +33(0)2 43 54 10 30 Fax: +33(0)2 43 89 90 75

Declare the machine :

- Designation : **MATADOR**
- Serial number : **[14500] to [17999]**
- Model : **HVS3000**
- Brand : **TERMET**

Is in compliance with the following requirements :

- Machinery Directive 2006/42/CE

And also considering the following standards :

- EN 15895, NF 466-100, NF 466-051, NF 466-052, EN ISO 12100:2010, Décisions CIP Edition 2009, EN 12549 + A1.

The Termet company is indicated as the moral person authorized to establish machine technical file.

Champagné,

On

TONY PILTE  
General manager

## 9. APPENDIX 1 – AUDITOR SHEET

### 9.1 MATADOR FEATURES

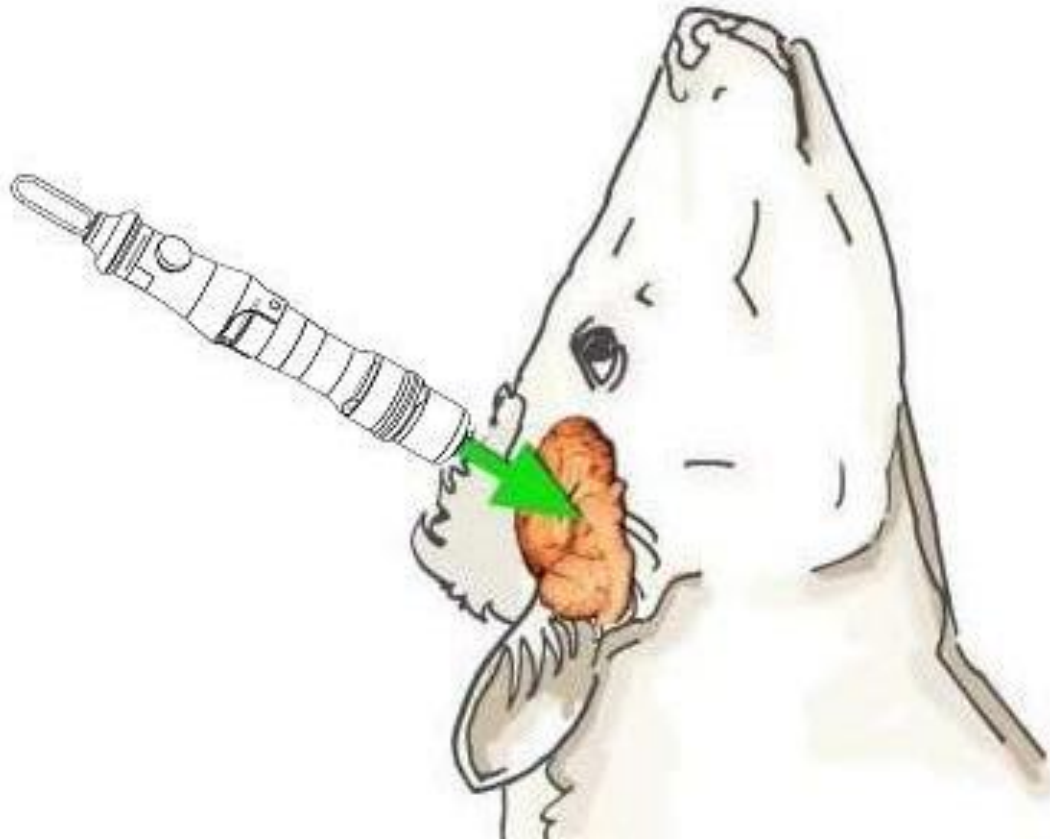
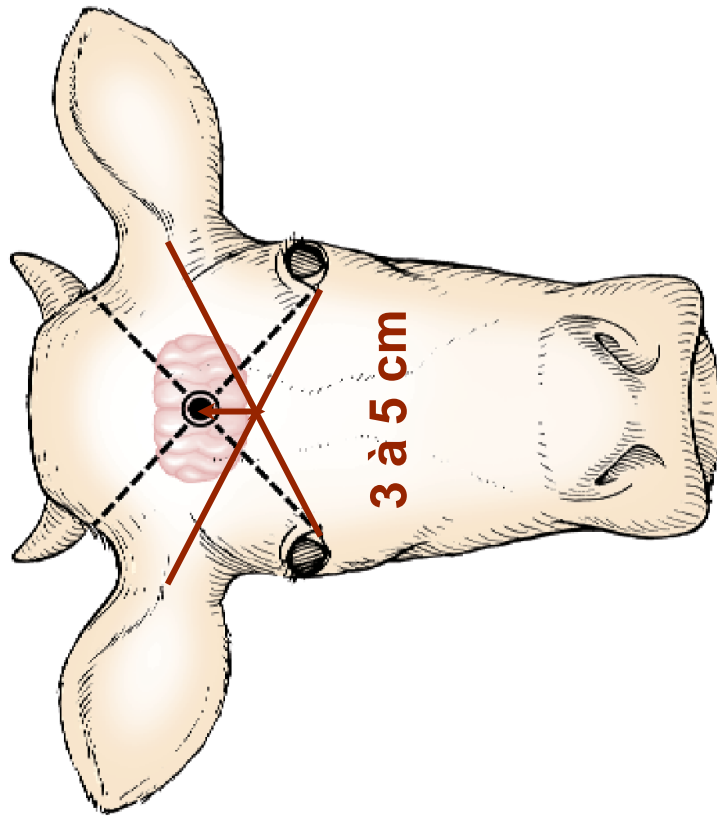
	MATADOR SS3000 standard	MATADOR HVS3000	MATADOR HVL3000
Pin diameter (mm)	Ø12	Ø12	Ø12
Pin length (mm)	169	169	183.3
Pin output length – shot in the air (mm)	90	90	98

Minimal speed (m/s)	MATADOR SS3000 standard	MATADOR HVS3000	MATADOR HVL3000
Yellow cartridge	37	47	47
Red cartridge	44	53	53
Purple/black cartridge	48	57	57

### 9.2 GOOD PRACTICES

- ⇒ **AVOID STRESS TO THE ANIMAL**
- ⇒ **HAVE THE ANIMAL ENTER THE STALL ONLY WHEN THE OPERATOR IS READY FOR SLAUGHTER**
- ⇒ **AVOID HAVING A LIGHT TOO BRIGHT IN THE STALL AREA**
- ⇒ **HAVE 2 GUNS AT THE SLAUGHTER STATION WHEN YOU ONLY USE THIS GUN FOR THE SLAUGHTER**(in the event of a problem with 1 gun, have a second available at the station)
- ⇒ **BLEED THE ANIMAL AS SOON AS POSSIBLE**

*Respect for animal welfare has an impact on  
meat quality*

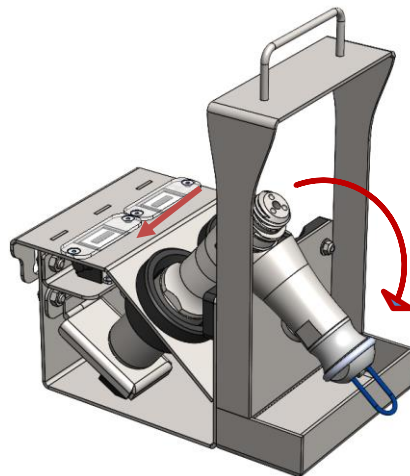


## 10. APPENDIX 2 - MATABOX

Mataboxes are used in slaughterhouses to safely place MATADORS at the workstation. Mataboxes without counters only serve as a support, while mataboxes with counters can be used to count the number of shots fired during slaughter.

### 10.1 MATABOX OPERATING MODE

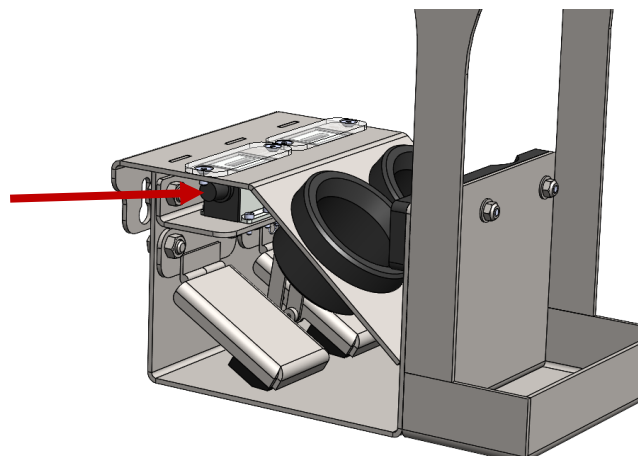
Using a matabox is very simple. Place the barrel of your MATADOR in the circular slot provided, then place the handle on the support.



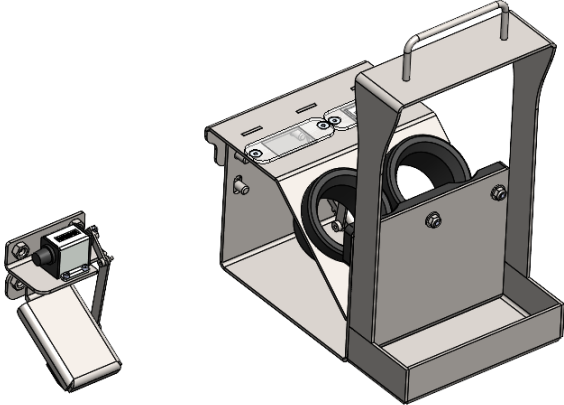
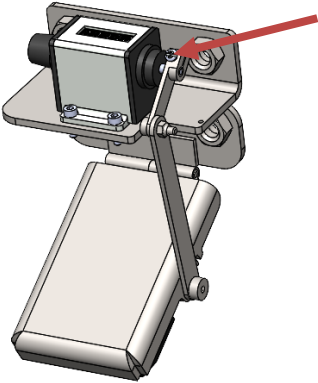
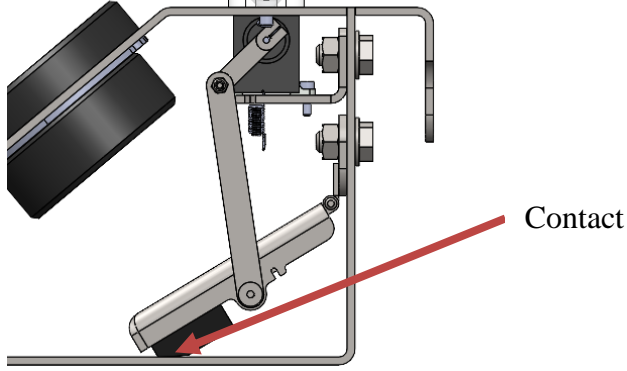
When using a matabox with counter, the gun barrel pushes a metal sheet. When you return the MATADOR to this position, contact with the sheet will increase the counter number. This will give you an indication of the number of shots fired during the day.

### Reset to zero

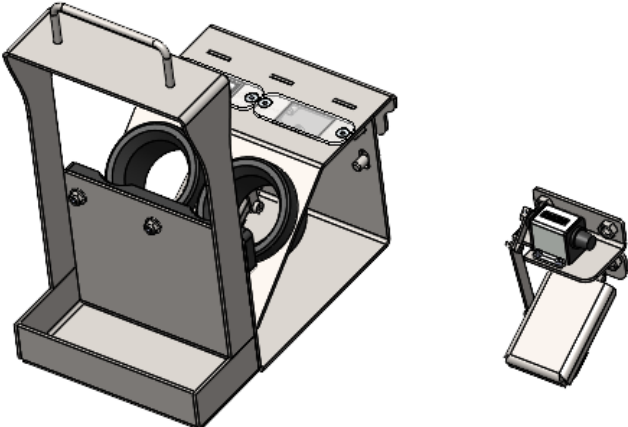
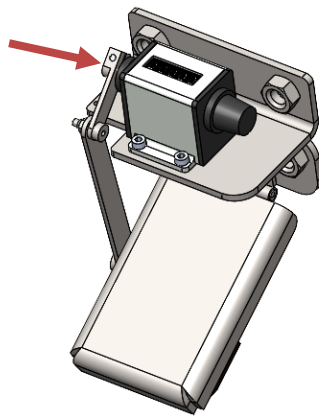
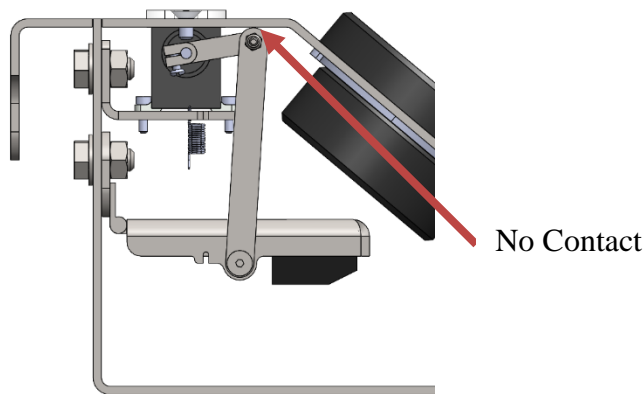
Knobs are located on either side of the matabox. There is one knob per counter. Simply turn them until the counter reads zero to reset.



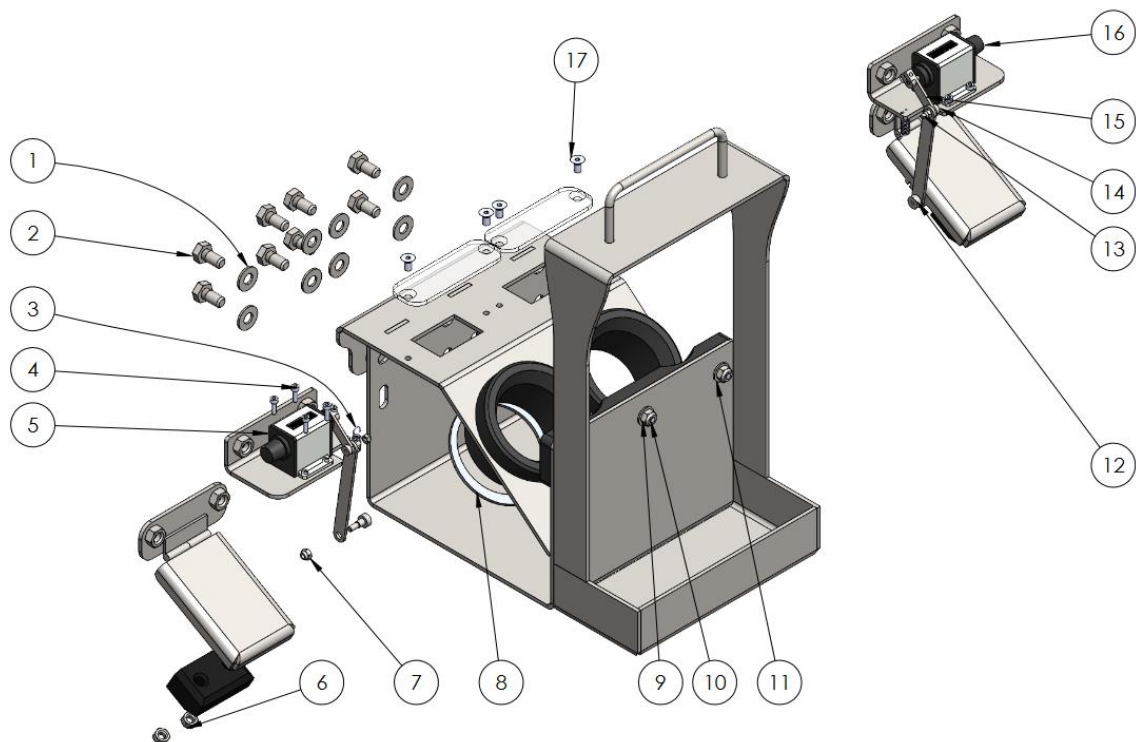
## Counter adjustment (lever at right)

<p>Remove the counter block from your matabox.</p>	 A technical illustration showing a counter block on the left and a larger matabox assembly on the right. The matabox is a rectangular metal frame with a circular opening in the center. The counter block is a smaller, rectangular component with a handle.
<p>Unscrew the clamping screw.</p>	 A technical illustration of the counter block assembly. A red arrow points to a clamping screw on the top of the counter block, indicating it should be unscrewed.
<p>Position the lever to have its rest position as indicate.</p>	 A technical illustration of the counter block assembly. A red arrow points to the lever, indicating its rest position. The word "Contact" is written next to the arrow, indicating the point of contact.

## Counter adjustment (lever at left)

<p>Remove the counter block from your matabox..</p>	 A perspective view of a metal matabox with a counter block attached to its top. To the right, the counter block is shown detached from the matabox.
<p>Unscrew the clamping screw.</p>	 A perspective view of the counter block being removed from the matabox. A red arrow points to a clamping screw on the top of the counter block.
<p>Position the lever to have its rest position as indicate.</p>	 A perspective view of the counter block and lever assembly. A red arrow points to the lever's rest position. The text "No Contact" is written next to the arrow, indicating that the lever should not be in contact with the counter block.

## Part names



Ref	Designation	Qty	Termet article code
1	M8 flat washer	8	6138
2	TH M8x16e screw	8	6175
3	Counter spring	2	5855
4	CHC M3x10 screw	8	9402
5	Right-hand mechanical counter	1	9412
6	HU M6 nut	4	6131
7	M4 lock nut	2	5302
8	Circlips Ø70	2	6056
9	M6 lock nut	3	1819
10	TFHC M6x20 screw	3	6157
11	Flat washer M6	3	1768
12	M4 L5 shoulder screw	2	9398
13	M3 lock nut	2	7529
14	M3 L4 shoulder screw	2	9399
15	Counter lever	2	5854
16	Left-hand mechanical counter	1	9396
17	TFHC M5x10 screw	4	9401



## 11. APPENDIX 3 - SSR3000

The SSR3000 cow, calf or sheep model is identical to a MATADOR. The only differences are detailed below:

### Technical features

	Weight
SSR3000	2.73 kg

	Minimum bolt exit speed (m/s)
	SSR3000
Yellow round	30 m/s
Red round	33 m/s
Black /Purple round	36 m/s

### Getting started

Getting started is identical to that of a MATADOR, with the exception of checking the bolt position:



Calves/Sheep

Cows

### Use

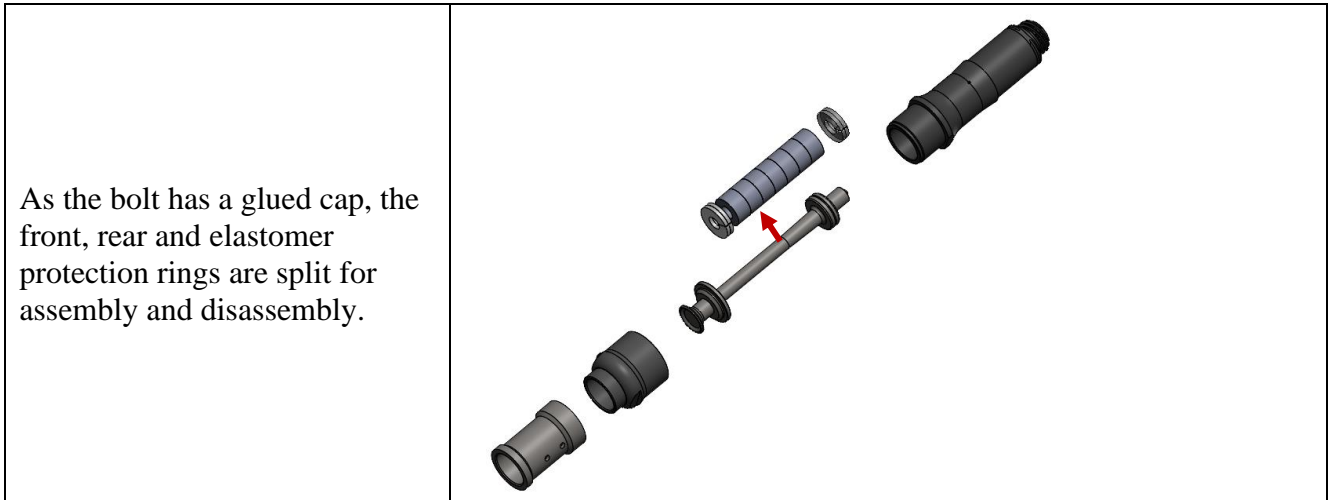
An SSR3000 is used like a MATADOR. Please use the table below to find out which type of round to use depending on the gun/animal pairing.

Power	Gun	Yellow round	Red round	Black/ Purple round
SSR3000 Calf Sheep		Sheep	Calves	NA
SSR3000 Cow		NA	Cows	Cows

According to the CE 1099-2009 regulation, the SSR can only be used on 10 kg or less animals.

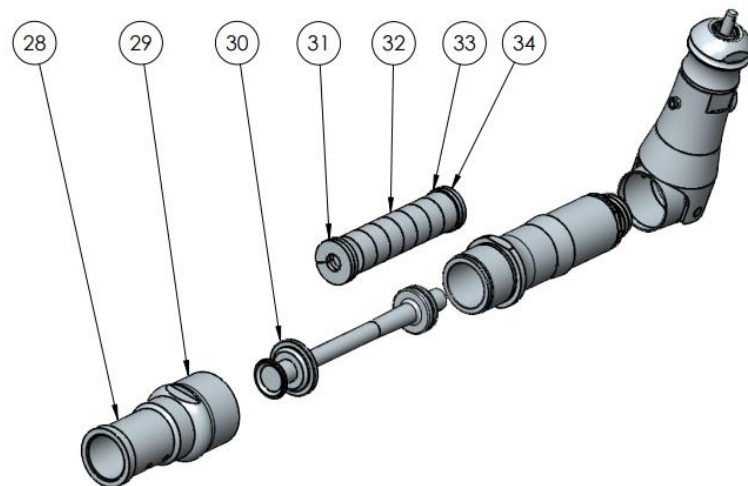
## Maintenance

Maintenance and care of the SSR3000 bolt differs from that of the MATADOR.



## Part names

Below are the part names specific to the SSR:



### SSR3000

Ref	Designation	Qty	Termet article code
<b>28</b>	Sheep-Cow-Calf spacer	1	3040
<b>29</b>	SSR3000 extension	1	3703
<b>30</b>	VA bolt - for cows	1	4469
	VE bolt - for calves	1	7777
<b>31</b>	FR prot split washer	2	3737
<b>32</b>	Split elastomer rings	7	3736
<b>33</b>	RE prot split washer blue	1	3738
<b>34</b>	RE prot split washer brown	1	3739

# DECLARATION – CE – DE CONFORMITE



16 IMPASSE LEDUC LADEVÈZE - ZA LA FORET  
72470 CHAMPAGNÉ

Tel: +33(0)2 43 54 10 30 Fax: +33(0)2 43 89 90 75

Déclare que la machine :

- Désignation : **MATADOR**
- N° de Série : [1245] à [1600]
- Modèle : **SSR3000 vache**
- Marque : **TERMET**

Est conforme aux exigences suivantes :

- Directive Machines CE 2006/42

Avec prise en compte des normes :

- EN 15895, NF 466-100, NF 466-051, NF 466-052, EN ISO 12100:2010, Décisions CIP Edition 2009, EN 12549 + A1.

De plus, cet appareil a été homologué CE de type volontairement par :



SUVA, Secteur technique, Organisme de certification SCESp0008, Notification européenne, numéro d'identification 1246, Case postale 4358, 6002 Luzern, Schweiz, sous le N° E7192/1.f le 19/02/2024.

La société TERMET est désignée en tant que personne morale autorisée à constituer le dossier technique.

Fait à Champagné,  
le 28.02.24

TONY PILTE

Directeur

A handwritten signature in black ink, consisting of a large, stylized loop that crosses itself, with a vertical line extending downwards from the bottom of the loop.

# DECLARATION – – OF CONFORMITY



16 IMPASSE LEDUC LADEVÈZE - ZA LA FORET  
72470 CHAMPAGNÉ  
Tel: +33(0)2 43 54 10 30 Fax: +33(0)2 43 89 90 75

Declare the machine :

- Designation : **MATADOR**
- Serial number : **[1245] to [1600]**
- Model : **SSR3000 cow**
- Brand : **TERMET**

Is in compliance with the following requirements :

- Machinery Directive 2006/42/CE

And also considering the following standards :

- EN 15895, NF 466-100, NF 466-051, NF 466-052, EN ISO 12100:2010, Décisions CIP Edition 2009, EN 12549 + A1.

Moreover, this system has been voluntarily CE homologated by :



SUVA, Technology sector, Accredited certification body SCESp0008, European notified body, identification number 1246, Box 4358, 6002 Luzern, Schweiz, under the N° E7192/1.e on 19/02/2024.

The Termet company is indicated as the moral person authorized to establish machine technical file.

Champagné,

On

TONY PILTE

General manager

# DECLARATION – CE – DE CONFORMITE



16 IMPASSE LEDUC LADEVÈZE - ZA LA FORET  
72470 CHAMPAGNÉ  
Tel: +33(0)2 43 54 10 30 Fax: +33(0)2 43 89 90 75

Déclare que la machine :

- Désignation : **MATADOR**
- N° de Série : [1245] à [1600]
- Modèle : **SSR3000 veau/mouton**
- Marque : **TERMET**

Est conforme aux exigences suivantes :

- Directive Machines CE 2006/42

Avec prise en compte des normes :

- EN 15895, NF 466-100, NF 466-051, NF 466-052, EN ISO 12100:2010, Décisions CIP Edition 2009, EN 12549 + A1.

De plus, cet appareil a été homologué CE de type volontairement par :



SUVA, Secteur technique, Organisme de certification SCESp0008, Notification européenne, numéro d'identification 1246, Case postale 4358, 6002 Luzern, Schweiz, sous le N° E7192/1.f le 19/02/2024.

La société TERMET est désignée en tant que personne morale autorisée à constituer le dossier technique.

Fait à Champagné,  
le 28.02.24

TONY PILTE

Directeur

A handwritten signature in black ink, consisting of a large, sweeping loop that starts from the left, goes up and over, then down and across, ending with a vertical stroke.

# DECLARATION – – DE CONFORMITE



16 IMPASSE LEDUC LADEVÈZE - ZA LA FORET  
72470 CHAMPAGNÉ  
Tel: +33(0)2 43 54 10 30 Fax: +33(0)2 43 89 90 75

Declare the machine :

- Designation : **MATADOR**
- Serial number : [1245] to [1600]
- Model : **SSR3000** calves/sheep
- Brand : **TERMET**

Is in compliance with the following requirements :

- Machinery Directive 2006/42/CE

And also considering the following standards :

- EN 15895, NF 466-100, NF 466-051, NF 466-052, EN ISO 12100:2010, Décisions CIP Edition 2009, EN 12549 + A1.

Moreover, this system has been voluntarily CE homologated by :



SUVA, Technology sector, Accredited certification body SCESp0008, European notified body, identification number 1246, Box 4358, 6002 Luzern, Schweiz, under the N° E7192/1.e on 19/02/2024.

The Termet company is indicated as the moral person authorized to establish machine technical file.

Champagné,

On

TONY PILTE

General manager